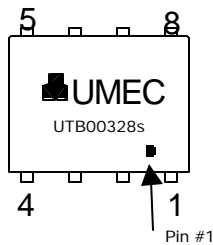
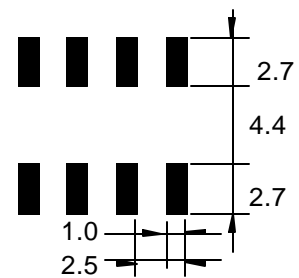
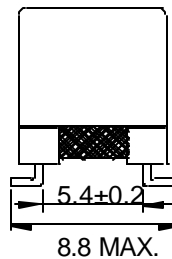
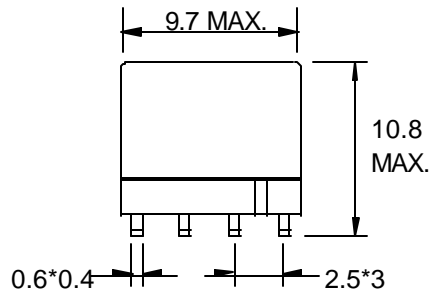
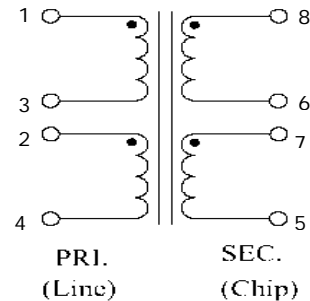


UMEC P/N:		REVISION	DATE
<b>UTB00328s</b>	<b>Infineon GEMINAX 1.33:1</b> <b>Basic Insulation, TNV3 to SELV, 250 Volt Working Voltage</b>	<b>01</b>	<b>12/10/01</b>

**ELECTRICAL SPECIFICATIONS AT 25°C:**

1. **INDUCTANCE:** 1.4mH  $\pm 10.0\%$ , 10kHz, 100mV, 1- ( tie 2&3 )
2. **LEAKAGE INDUCTANCE:** 5  $\mu$ H max, 100kHz, 100mV, 1-4 ( tie 2&3, 8&6, 7&5)
3. **URNS RATIO:** 1.33 : 1.00, ( 1-4 ):( 8-6 ) ( tie 2&3, 5&7 )  
(@ 10kHz, 100mVAC,  $\pm 3\%$ )
4. **DC RESISTANCE @25°C:** 1.10 max., 1-4 (2+3)  
0.85 max., 8-6 (7+5)
5. **HI-POT:** 1875VAC, 1s, 500 $\mu$ A max., 1 - 8 ( tie 2&3, 5&7 )
6. **SAFETY:** MEETS REQUIREMENTS OF UL1950, EN60950 AND IEC950  
BASIC INSULATION, 250V WORKING VOLTAGE

**Dimensions:**

**SUGGESTED P.C.B. LAYOUT**


The information contained in this specification is the sole property of UMEC, Ltd. Any reproduction or use without the written permission of UMEC, Ltd. is prohibited.