

10 BASE-T ETHERNET SMD FILTER
P/N:UE-FS2022B APPLY TO GENERIC IC

Feature

- Designed for 10 BASE-T application.
- Fully compatible with IEEE 802.3 standard.
- 16-PIN SMD low profile package.
- Operating temperature range: 0°C to +70°C.
- Storage temperature range: -25°C to +125°C.

Electrical Specifications @ 25°C

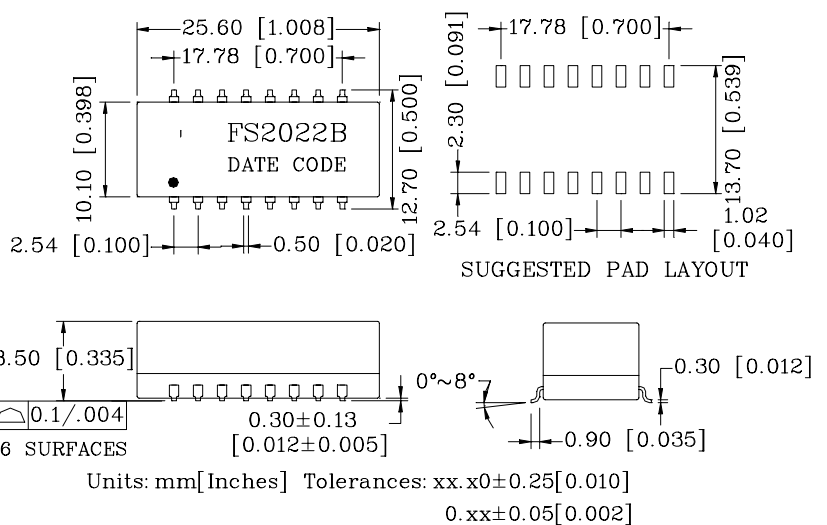
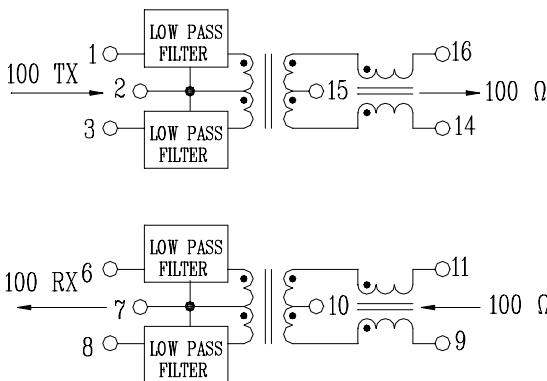
Part Number	Turns Ratio (±5%)		CUT-OFF Frequency TX/RX	Voltage Isolation (Vrms)	Insertion Loss TX/RX(dB Max)	Return Loss TX/RX(dB Min)
	TX	RX			1-10MHz	1-10MHz
FS2022B	1CT:1CT	1CT:1CT	17 MHz ± 1.5MHz	1500	-1.0	-14

Continue

Part Number	Cross talk Attenuation (dB Min)	Attenuation TX/RX(dB Min)				Common Mode Rejection TX/RX(dB Min)
	1-10 MHz	20MHz	25MHz	30MHz	40MHz	30-100MHz
FS2022B	-30	-7/-6	-19/-14	-30/-20	-32/-31	-30

Schematic

Mechanical



UMEC GmbH

www.umeu.de

UMEC elektronische Komponenten GmbH
 Kreuzenstraße 80 ● D-74076 Heilbronn
 Tel. 07131/76170 ● Fax 07131/761720

e-mail: info@umec.de