

## “LAN-MATE” SERIES

### SINGLE RJ45 CONNECTOR MODULE WITH INTEGRATED 10/100 BASE-TX MAGNETICS

P/N: LU1T516E1

Page : 1/2

#### Feature



- RJ-45 connector integrated with transformer/impedance resistor/high voltage capacitor.
- Size same as RJ-45 connector to save PCB board space.
- Reduce EMI radiation improve EMI performance.
- Design for 10/100 BASE transmission over UTP-5 cable.
- Operating temperature range: 0° C - + 70° C
- Storage temperature range: -25° C - +125° C

#### Electrical Specifications @ 25° C

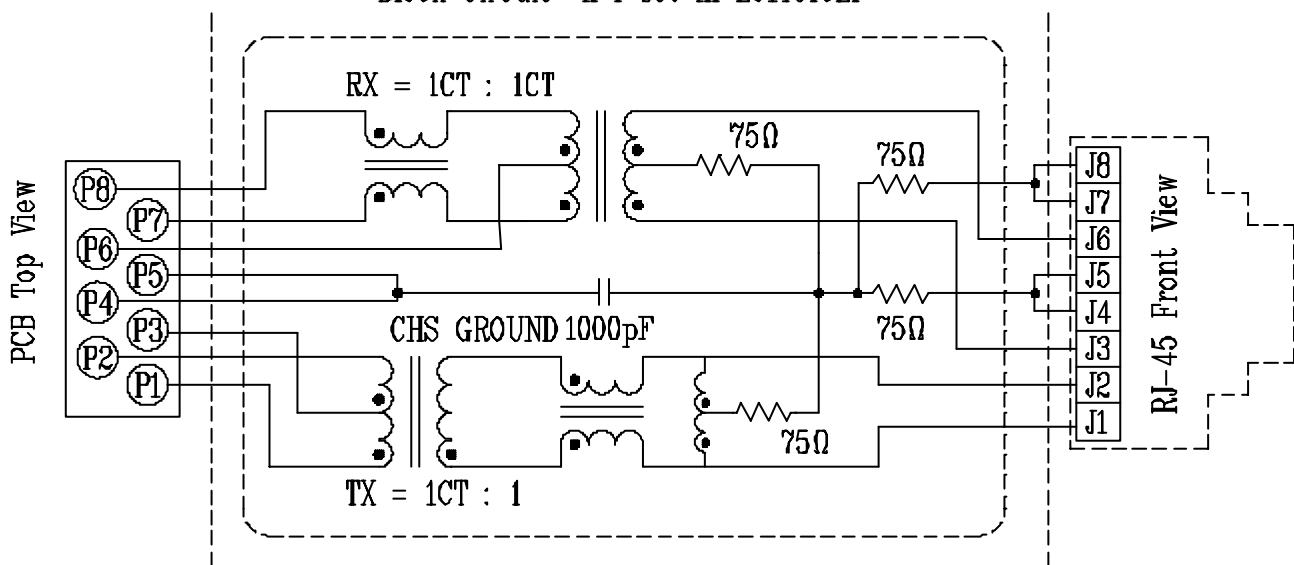
Part Number	Turns Ratio (±5%)		OCL (uH Min) @ 100 KHz/0.1V with 8mA DC Bias	Cross talk (dB Min)			HI-POT (Vrms)
	TX	RX		0.3-30MHz	30-60MHz	60-100MHz	
LU1T516E1	1CT:1	1CT:1CT	350	-40	-35	-30	1500

#### Continue

Part Number	Insertion Loss (dB Max)	Return Loss (dB Min)					DCMR (dB Min) TX/RX		
		0.3-100MHz	30MHz	40MHz	50MHz	60MHz	80MHz	1-30MHz	30-60MHz
LU1T516E1	-1.15	-16	-14	-13.5	-13	-10	-30	-25	-20

#### Schematic

Block Circuit x 1 set in LU1T516E1

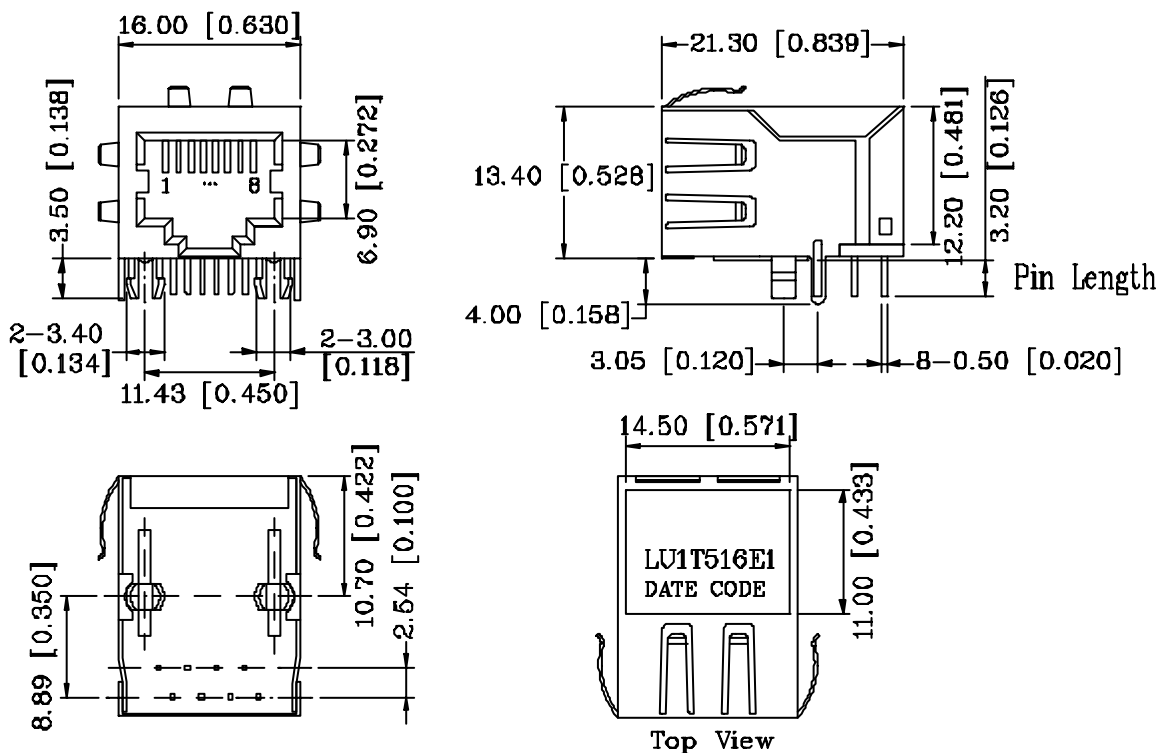


**“LAN-MATE” SERIES**

**SINGLE RJ45 CONNECTOR MODULE WITH INTEGRATED 10/100 BASE-TX MAGNETICS**

P/N: LU1T516E1

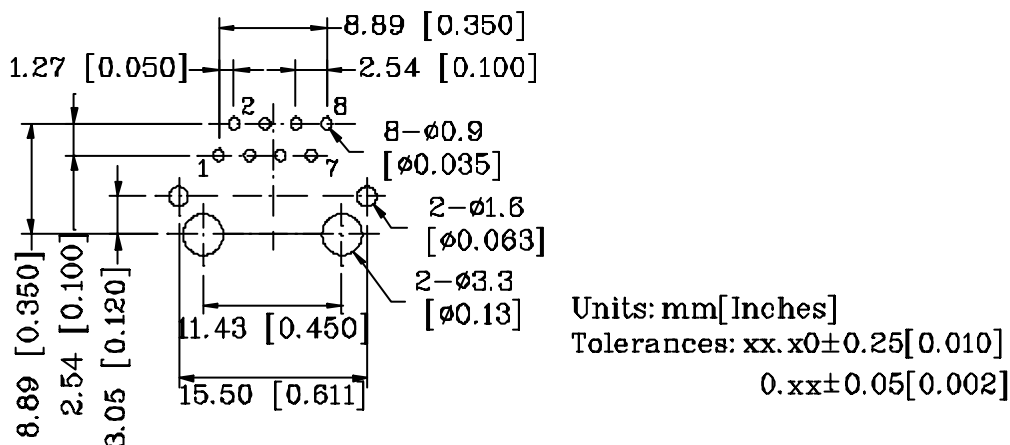
**Mechanical**



Units: mm[Inches] Tolerances: xx.x0±0.25[0.010]  
0.xx±0.05[0.002]

- 1. Plastic Material : PBT 15% Glass Filled(UL 94V-0), Black Housing
- 2. Metal Shield : Brass C2680-H, 20u Nickel Plated, t=0.25mm
- 3. Spring Wire : 0.45mm Dia. Phosphor bronze with 6u gold plated
- 4. Solder Pin : 0.4x0.4mm, Phosphor bronze with solder Plated
- 5. Durability : 300 Mating cycles Min.

**PCB Layout Mounting Hole(Top View)**



Units: mm[Inches]  
Tolerances: xx.x0±0.25[0.010]  
0.xx±0.05[0.002]