



“LAN-MATE” SERIES

2 X 4 RJ45 CONNECTOR MODULE WITH INTEGRATED 10/100 BASE-TX MAGNETICS

P/N: LUBT041X4

Page : 1/2

Feature



- RJ-45 connector integrated with transformer/impedance resistor/high voltage capacitor.
- Size same as RJ-45 connector to save PCB board space.
- Reduce EMI radiation improve EMI performance.
- Design for 10/100 BASE transmission over UTP-5 cable.
- Operating temperature range: 0°C to +70°C.
- Storage temperature range: -25°C to +125°C.

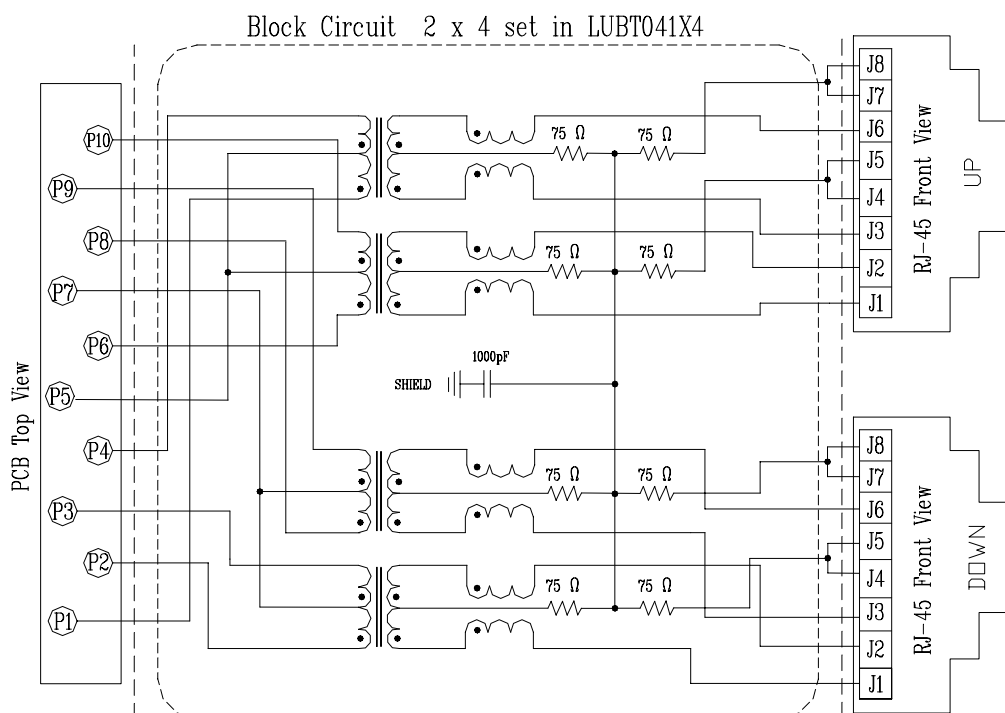
Electrical Specifications @ 25°C

Part Number	Turns Ratio (±5%)		OCL (uH Min) @100 KHz/0.1V with 8mA DC Bias	Insertion Loss (dB Max) 1-100MHz	HI-POT (Vrms) 1500
	TX	RX			
LUBT041X4	1CT:1CT	1CT:1CT	350	-1.0	1500

Continue

Part Number	Return Loss (dB Min)@Load 100Ω					Cross talk (dB Min)			CMR (dB Min) 1-100MHz
	30MHz	40MHz	50MHz	60MHz	80MHz	0.3-30MHz	30-60MHz	60-100MHz	
LUBT041X4	-16	-14	-13.5	-13	-10	-40	-35	-30	-30

Schematic





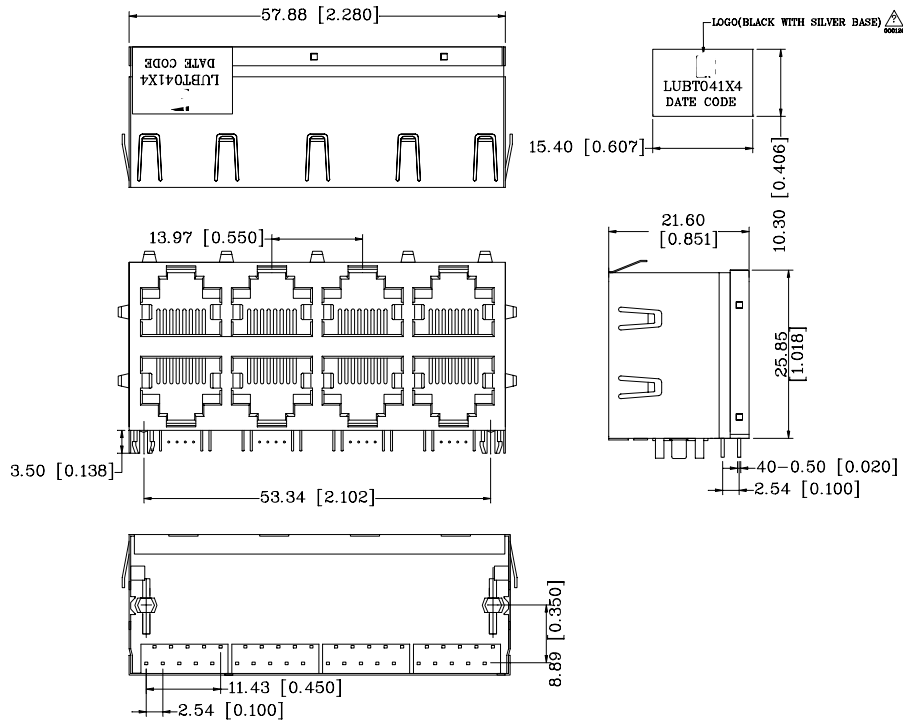
“LAN-MATE” SERIES

2 X 4 RJ45 CONNECTOR MODULE WITH INTEGRATED 10/100 BASE-TX MAGNETICS

P/N: LUBT041X4

Page : 2/2

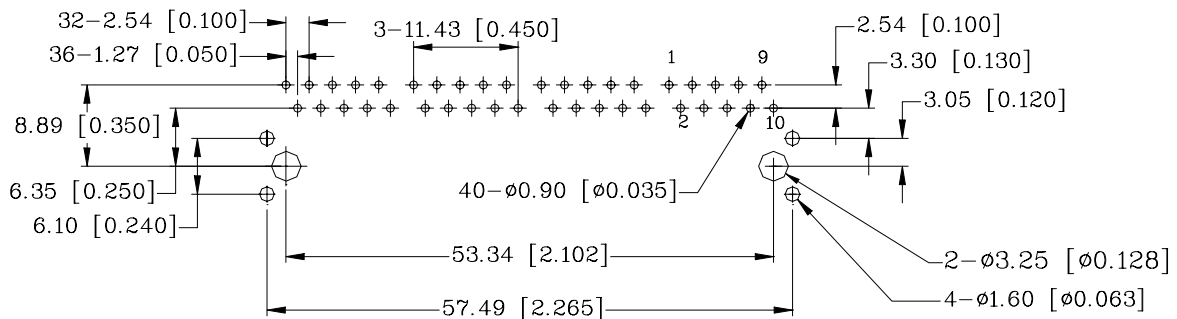
Mechanical



Units: mm[Inches] Tolerances: xx.x0±0.25[0.010]
 0.xx±0.05[0.002]

1. Plastic Material : Thermoplastic (UL 94V-0), Black Housing
2. Metal Shield : Brass, 20u inches thick Nickel
3. Spring Wire : 0.45mm Dia. Phosphor bronze with selective gold plating
4. Solder Pin : 0.4x0.4mm, Phosphor bronze
5. Durability : 300 Mating cycles Min.

PCB Layout Mounting Hole(Top View)



Units: mm[Inches] Tolerances: xx.x0±0.25[0.010]
 0.xx±0.05[0.002]