

T1/E1/CEPT/ISDN-PRI TRANSFORMER

P/N:S8678 DATA SHEET

Feature

- Dual SMT package contains both transmit and receive transformers.
- Models matched to leading transceiver ICs.
- IC grade transfer-molded package withstands 235 °C IR reflow.
- Patented interlock base construction for high reliability.
- Operation temperature range: 0°C to +70°C
- Storage temperature range: -25 °C to +125°C.

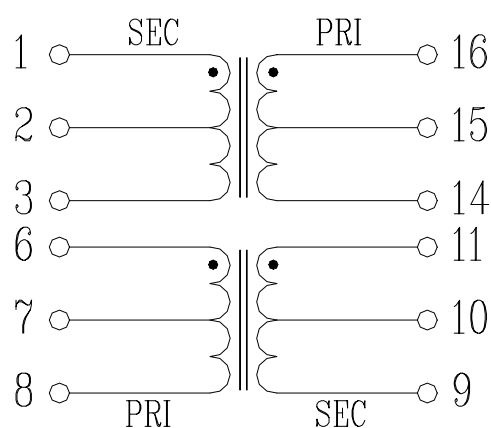
Electrical Specifications @ 25°C

Part Number	Turns Ratio (±5%)		OCL (mH) PRI	L.L (uH Max) @SEC Short	C _{WW} (pF Max) PRI/SEC
	(16-14): (1-3)	(6-8): (11-9)			
S8678	1CT:1CT	1CT:2CT	1.2	0.6	30

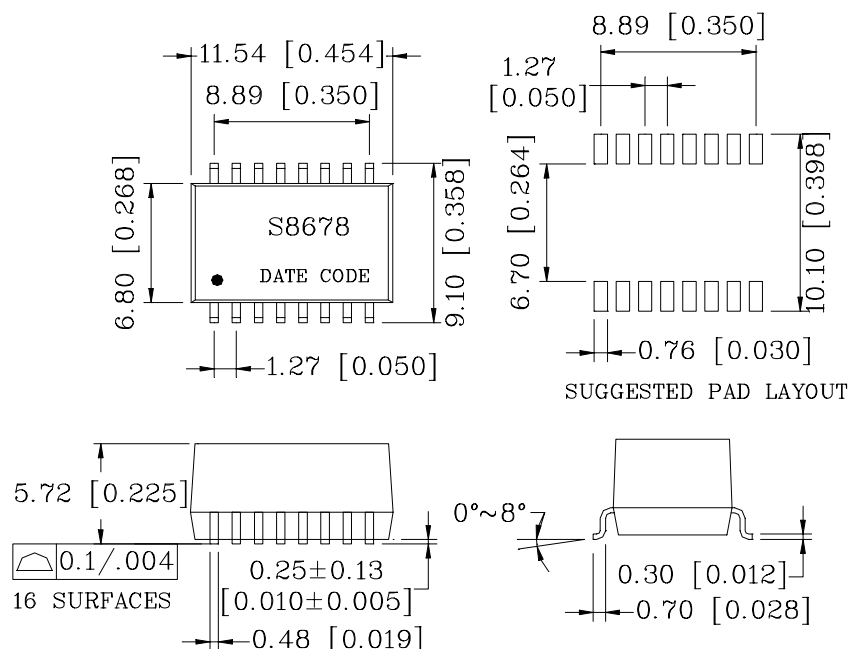
Continue

Part Number	DCR (Ω max)				PRI pins	HI-POT (Vrms)
	16-14	6-8	1-3	11-9		
S8678	0.7				(16-14)& (6-8)	1500

Schematic



Mechanical



Units: mm [Inches] Tolerance: xx.x0 ± 0.25 [0.010]
0.xx ± 0.05 [0.002]

A7(02/09)



UMEC Europe

homepage: www.umeu.de

UMEC elektronische Komponenten GmbH
Kreuzenstraße 80 • D-74076 Heilbronn
Tel. 07131/76170 • Fax 07131/761720

e-mail: info@umec.de