

“LAN-MATE” SERIES

SINGLE RJ45 CONNECTOR MODULE WITH INTEGRATED 1000 BASE-T MAGNETICS AND LEDs

P/N: UE-LA1S109-43 LF

Feature



- Isolation @ 60Hz : Input to output:1500Vrms.
- Lead free for external pins.
- Operating temperature range: 0°C to +70°C
- Storage temperature range: -25°C to +85°C
- Recommended panel



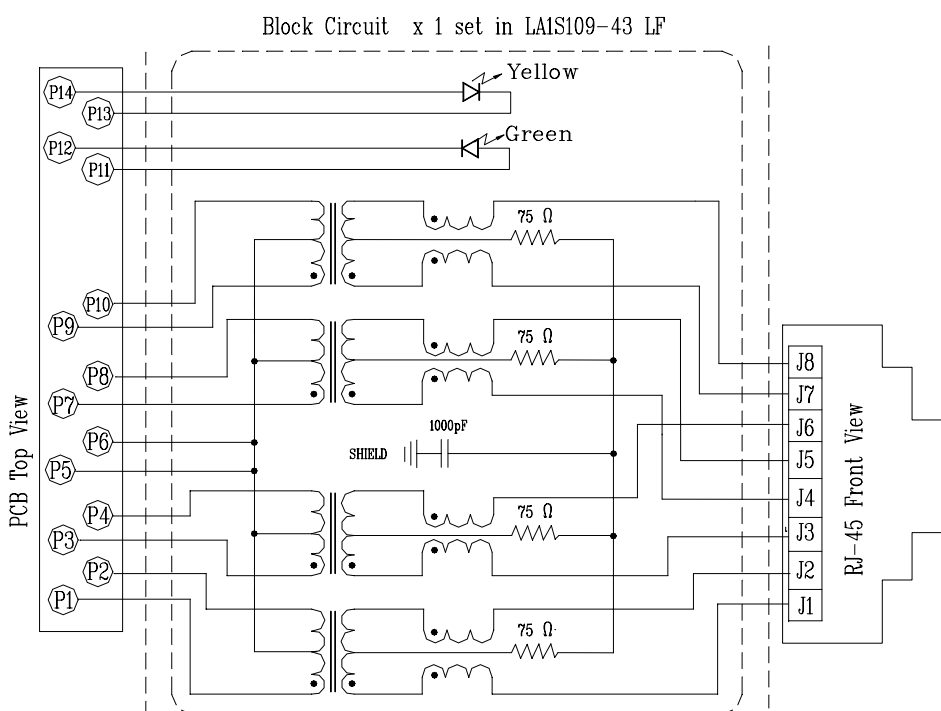
| Part Number | Standard LED | Forward*V(Max) | (TYP) |
|-------------|--------------|----------------|-------|
| 3 | YELLOW | 2.6V | 2.1V |
| 4 | GREEN | 2.6V | 2.2V |

*with a forward current of 20mA

| Electrical Specifications @ 25°C | | | | | | | |
|----------------------------------|-------------------|---------|---|---------------------|----------|-----------|---------------|
| Part Number | Turns Ratio (±5%) | | OCL (uH Min) @ 100KHz/0.1V with 8mA DC Bias | Cross talk (dB Min) | | | HI-POT (Vrms) |
| | TX | RX | | 0.3-30MHz | 30-60MHz | 60-100MHz | |
| UE-LA1S109-43 LF | 1CT:1CT | 1CT:1CT | 350 | -40 | -35 | -30 | 1500 |

| Continue | | | | | | | | |
|------------------|-------------------------|----------------------------------|---------|----------|----------|--------------|---------|----------|
| Part Number | Insertion Loss (dB Max) | Return Loss (dB Min) @ Load 100Ω | | | | CMR (dB Min) | | |
| | | 1-100MHz | 1-30MHz | 30-40MHz | 40-50MHz | 50-80MHz | 1-30MHz | 30-60MHz |
| UE-LA1S109-43 LF | -1.0 | -16 | -13.5 | -11.5 | -10 | -30 | -25 | -20 |

Schematic

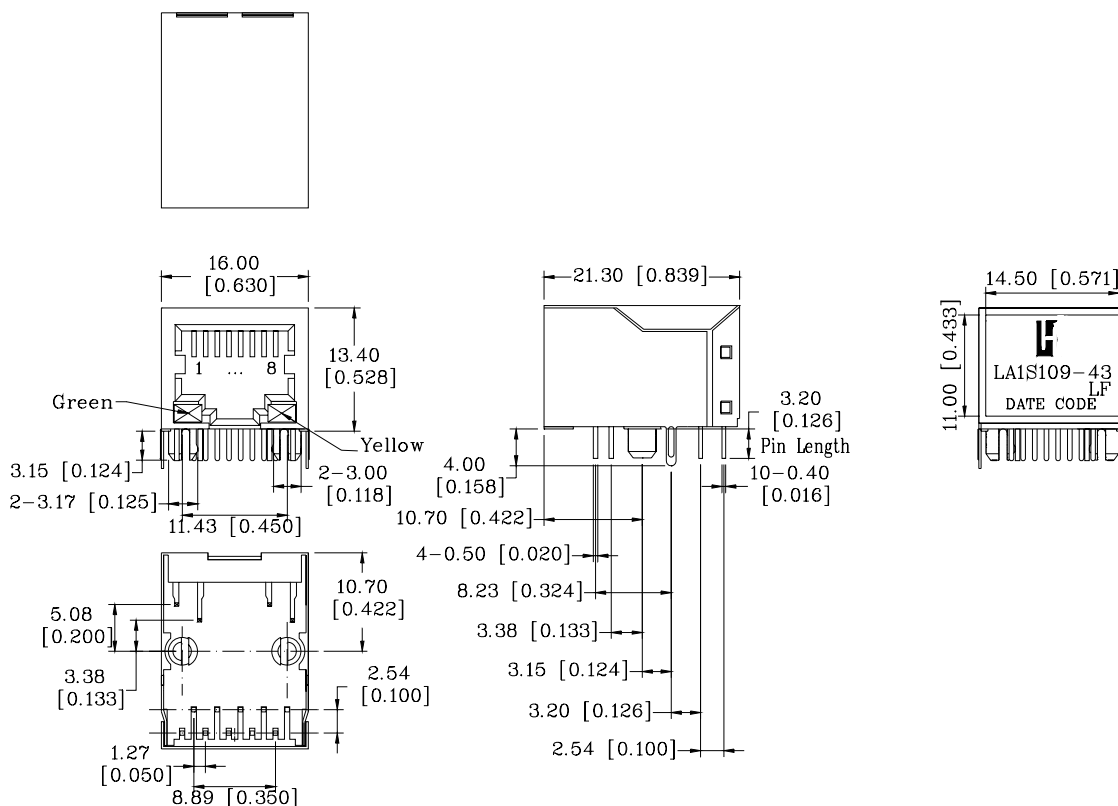


“LAN-MATE” SERIES

SINGLE RJ45 CONNECTOR MODULE WITH INTEGRATED 1000 BASE-T MAGNETICS AND LEDS

P/N: UE-LA1S109-43 LF

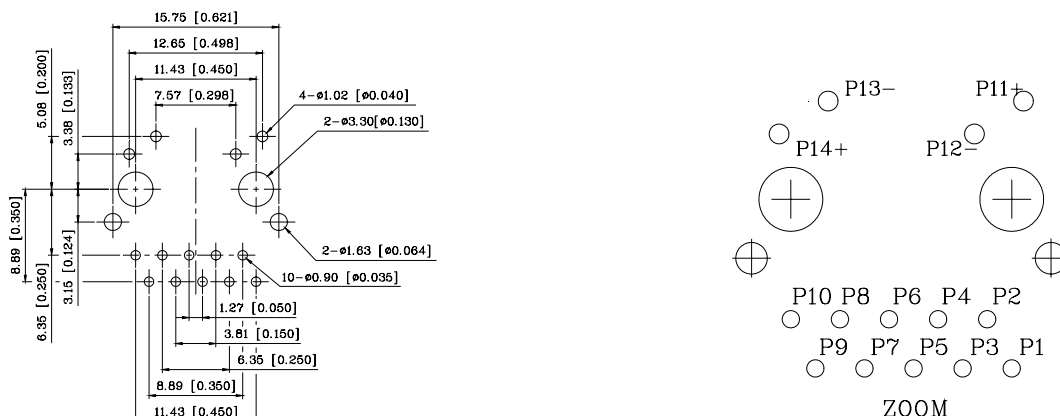
Mechanical



Units: mm[Inches] Tolerances: xx.x0±0.25[0.010]
0.xx±0.05[0.002]

- 1. Plastic Material : Thermoplastic (UL 94V-0), Black Housing
- 2. Metal Shield : Brass, 20u inches thick Nickel
- 3. Spring Wire : Phosphor bronze with selective gold plating
- 4. Solder Pin : 0.4x0.4mm, Phosphor bronze with solder Plated
- 5. Durability : 750 Mating cycles Min.

PCB Layout Mounting Hole(Top View)



Units: mm[Inches]
Tolerances: xx.x0±0.25[0.010]
0.xx±0.05[0.002]