

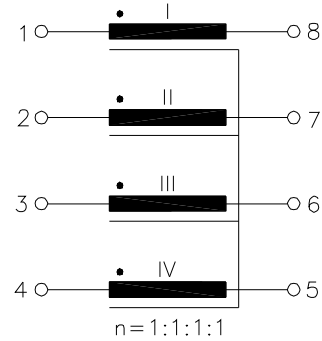
UM MODEL NO.:	SPECIFICATION	REV.	
UT21314V-TS	4-Fold Common Mode Choke	A1	05/29

Characteristic data:

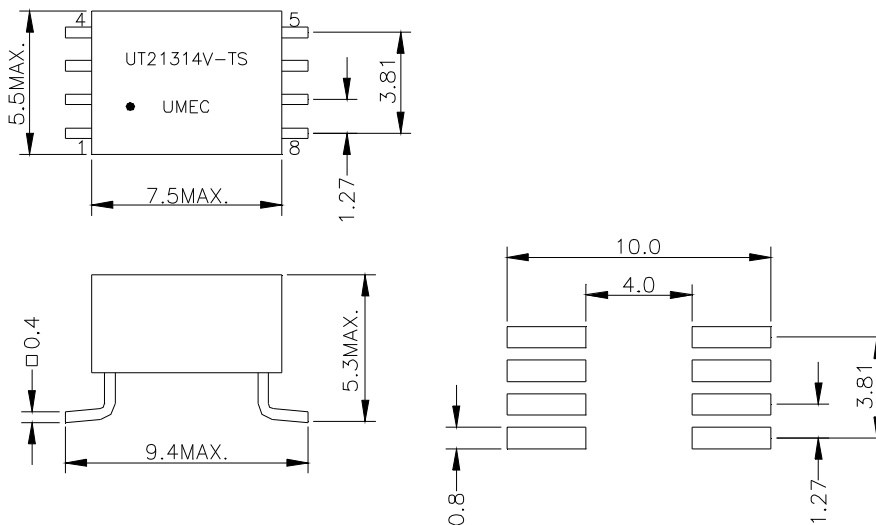
$$R_I = R_{II} \leq 200 \text{m}\Omega$$

$$I_n = 500 \text{mA}$$

$$T_u(\text{amb}) \leq 60^\circ\text{C}$$

Schematic diagram:

Electrical Specification at 25⁰C:

- 1.) $L \geq 5.0 \mu\text{H}$, at 10KHz 100mV
- 2.) Polarity and turns ratio tolerance: $\pm 1\%$
- 3.) HI-pot test:
 $U_p = 300 \text{V}_{\text{rms}}, 2\text{s}$ (Winding to Winding)

Dimension:


NOTE: 1 Packaging Information: Tape and Reel according to Item NO. "K5SA" OF DATA SHEET 01-00"

2. For RoHS compliant products:

a.) The UMEC ordering code: **TG-UT21314V-TS**

b.) Date Code suffix to "G" (xxxxG).

c.) Solder : Sn/Ag/Cu .

3. Specifications are subject to change without prior notice

UNIT: mm

Tolerances: $\pm 0.2 \text{mm}$

E10-013-C



UMEC GmbH

UMEC elektronische Komponenten GmbH

Kreuzenstraße 80 • D-74076 Heilbronn

Tel. 07131/7617-0 • Fax 07131/7617-20

www.umec.de