



DATA SHEET

UM PART NO.:	SPECIFICATIONS	REV.	
UT12007	10/100BASE-T SINGLE PORT SURFACE MOUNT MAGNETICS	B0	01/31

Features:

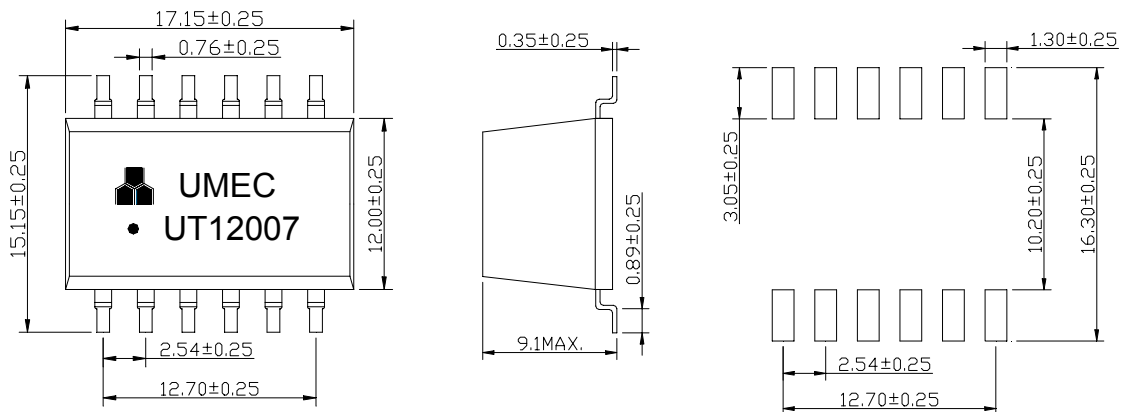
1. Meets IEEE 802.3 and ANSI X.3.263 standards including 350uH OCL with 8mA bias.
2. Designed for reflow soldering at temperature 230±5°C.
3. Turns Ratio tolerance: ±5%

Electrical Specification @25 °C :

1. Insertion Loss : -1.3dB Max. @ 0.10--100MHz. TX/RX
2. Return Loss : -17dB Typ @ 30MHz. TX/RX
-11dB Typ @ 60MHz. TX/RX
-9dB Typ @ 80MHz. TX/RX
3. Cross Talk : -42dB Min. @ 30MHz. TX to RX
-37dB Min. @ 60MHz. TX to RX
-32dB Min. @ 100MHz. TX to RX.
4. HI-POT : 1500Vrms/2sec. Leakage Current 0.5mA Max./input to output

Note: The transformer meets the specifications for Supplementary insulation per IEC 950

Dimensions & Schematic:



Note: Specifications are subject to change without prior notice.

UNIT: mm

Tolerances:±0.25mm



UMEC Europe
Universal Microelectronics

UMEC elektronische Komponenten GmbH
Kreuzenstraße 80 • D-74076 Heilbronn
Tel. 07131/76170 • Fax 07131/761720

homepage: www.umec.de

e-mail: info@umec.de