



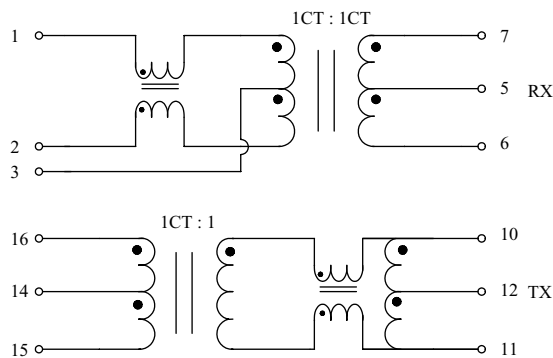
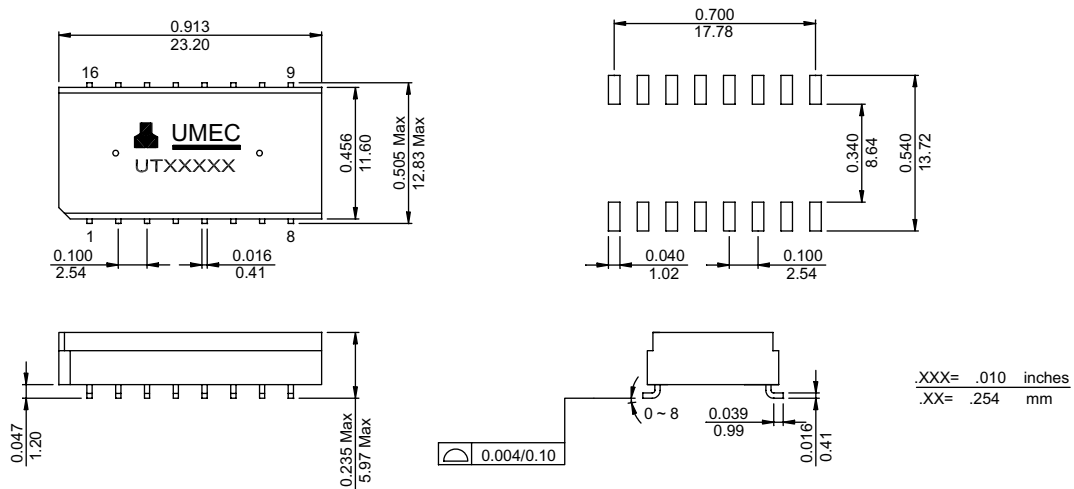
DATA SHEET

UM PART NO.:	SPECIFICATION	REV.	1/1
UT 12210A	FAST ETHERNET 10BASE-T/100BASE-TX TRANSFORMER MODULES	B0	02/30

ELECTRICAL SPECIFICATIONS @25°C :

1. Inductance :350uH Min. @ 100KHz. 0.2V I_{dc}=8mA , PIN(7-6) , PIN(16-15).
2. Turns Ratio Phase :1CT : 1CT± 5% @ 15.75KHz 1V , PIN(1-2) : PIN(7-6).
1CT : 1± 5% @ 15.75KHz 1V , PIN(16-15) : PIN(10-11).
3. Insertion Loss :TX/RX -1.0dB Max. @ 0.1-100MHz.
4. Return Loss :TX/RX -18/-16/-12dB Min. @ 1-30-40/50/60-80MHz
5. Diff. to Com. Mode Rejection :Tx/RX -42/-36/-33 dB Min. @ 30/60/100MHz
6. Cross Talk : TX/RX -42/-34/-30dB Min. @30/60/100MHz
7. HI-POT :1500Vrms/2Sec. Leakage Current 0.5mA Max. @ PRI. to SEC.

DIMENSIONS & SCHEMATIC :



NOTE: Specifications are subject to change without prior notice.

E10-007-B



UMEC Europe
 Universal Microelectronics
 Homepage: www.umec.de

UMEC elektronische Komponenten GmbH
 Kreuzenstraße 80 • D-74076 Heilbronn
 Tel. 07131/76170 • Fax 07131/761720
 e-mail: info@umec.de